



Intellex SMT-8100

Special Purpose RFID Tag for Metals & Liquids

- Up to 100 meter (300+ ft) read/write range
- Stores E-manifest, maintenance records, custody chain, history, user information locally on tags
- Long battery life (up to 4 years), based on duty cycle
- Exceptional read/write reliability in real world environments
- Lockable read/write user memory protects data integrity
- 1 Kb block level locking with separate read/write permalock password protection
- Rugged, compact form factor tags

The Intellex SMT-8100 tags are rugged, compact tags specifically designed to provide exceptionally high read/write accuracy and long range operation for a wide variety of indoor and outdoor applications around liquids, metals, and other RF-unfriendly conditions. The SMT-8100 provides accurate reads and writes on vehicles, containers, and bins at ranges of 100 meters or more. In addition, the SMT-8100 tag's proprietary wake-up circuit ensures long battery life with persistent data storage. The tag's innovative security features provide secure on-tag data access. Intellex XC3 Technology™ tags are the first to integrate all of these features onto a single chip.

Based on ISO and EPCglobal standards and featuring patent pending tag antenna design, the SMT-8100 is the first tag that offers long range, on-edge performance on metal regardless of tag orientation. It offers exceptional read/write range of up to 100 meters when read edge on and maximizes use of multi-path in metal rich environments to ensure readability. Intellex SMT-8100 tags can be easily mounted on reusable totes, heavy machinery, harvesting equipment, trucks, rail cars, cargo containers and more with adhesives, screws or plastic cable ties.

Product Features

Device Type	Class 3 RFID (battery-assisted passive) single chip transponder
RF Interface	ISO/IEC 18000-6:2010 (Manchester BAP), EPCglobal C1G2
Operating Frequency	902-928 MHz (North America); 865.6-867.6 MHz (Europe/India)
Modulation	Amplitude modulated forward link (reader to tag) Frequency modulated reverse link (tag to reader)
Range	Up to 100 meters (300+ ft); For best tag performance, Intellex recommends using circular polarized antennas with the reader (part number IA410.1) .
Battery Life	Up to 4 years depending on use; data is persistent and also readable at close range upon battery expiration
Data Rates	8-128 Kb/sec forward link Up to 640 Kb/sec reverse link



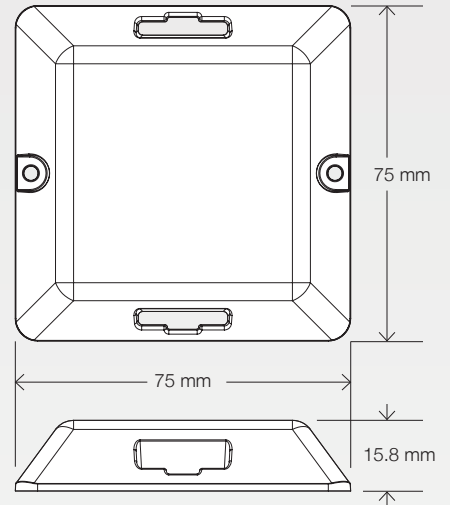
Data Retention	10 years at 85°C	
Memory	64 Kb total, 60 Kb rewritable non-volatile user memory	
Environmental	Enclosure Protection	IP67
	Temperature (Operating and Storage)	-22° to +176°F (-30° to +80°C)
	Shock	IEC 60068-2-32, test Ed
	Vibration	IEC 60068-2-6, test Fc
General Dimensions	2.95" x 2.95" x 0.62" (75 mm x 75 mm x 15.8 mm) (L x W x D), Weight: 47g	
Other Features	Password-controlled read, write, 1 Kb block level locking, and permalock	
Mounting Options	Screws, straps, adhesive; not included	
Screw Type Options	Machine Screw	Socket Head, Button Head or Pan Head Screws Recommended Holes Designed for 4-40 or M3 Screw Threads Recommended Minimum Screw Length: 5/16" (8.00 mm)
	Wood Screw	Standard #4 Wood Screw Recommended Round Head Recommended Recommended Minimum Screw Length: 5/16" (8.00 mm)
Warranty	The SMT-8100 is warranted against defects in workmanship and materials for a period of two (2) years. See Terms of Sale for warranty details.	

Ordering Information

Part Number	Description
SMT-8100	Standard asset tag for metal or other conductive surface mounting, and multi-path environments

Specifications are subject to change without notice.

Design



For More Information

To learn more please visit our website or contact us directly. We look forward to hearing from you.

www.intelleflex.com

+1 877 694 3539 Toll Free

+1 408 200 6500 International/Direct

info@intelleflex.com